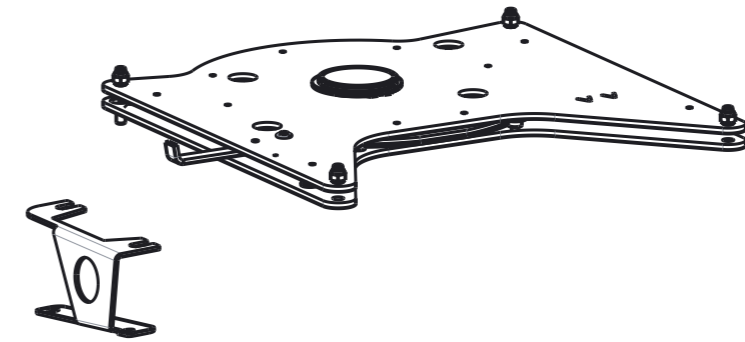


# Volkswagen T6 installation guide



## Parts required

- 1x Seat Swivel for Volkswagen T5/T6
- 1x Emergency brake adapter
- 1x Mounting kit (nuts and bolts)



## Tools required



1x 1/4" Socket wrench



1x 1/4" Hex socket 13

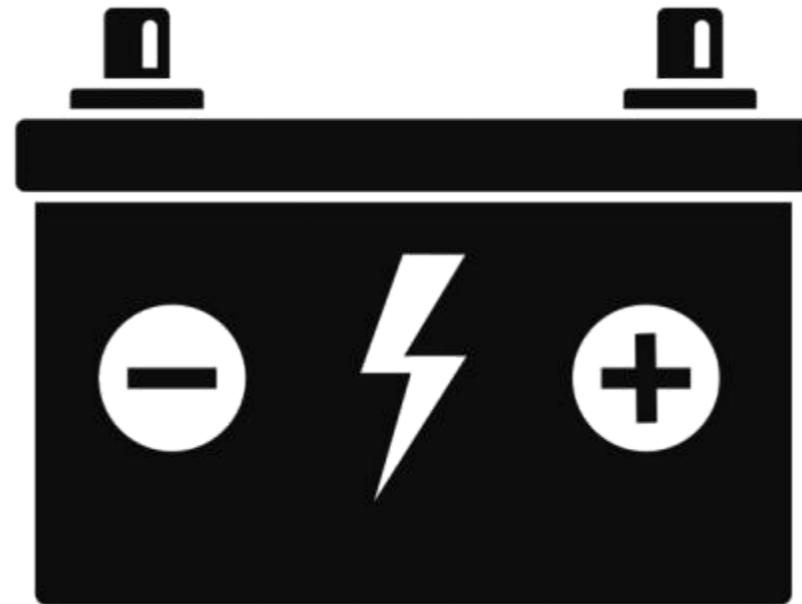


1x Socket spanner 13

Step 1. Preparing

Disconnect the car battery by unleassing the clamps under hood.

OFF



## Step 2. Unleashing seat

Unscrew two original bolts M8 and two original M8 nuts located at the front and rear of seat rails. Keep two original nuts M8 that you remove, you will need to use them in later step. Unplug connection wires located between seat base and seat. Then you can lift seat with rails up and put it beside.

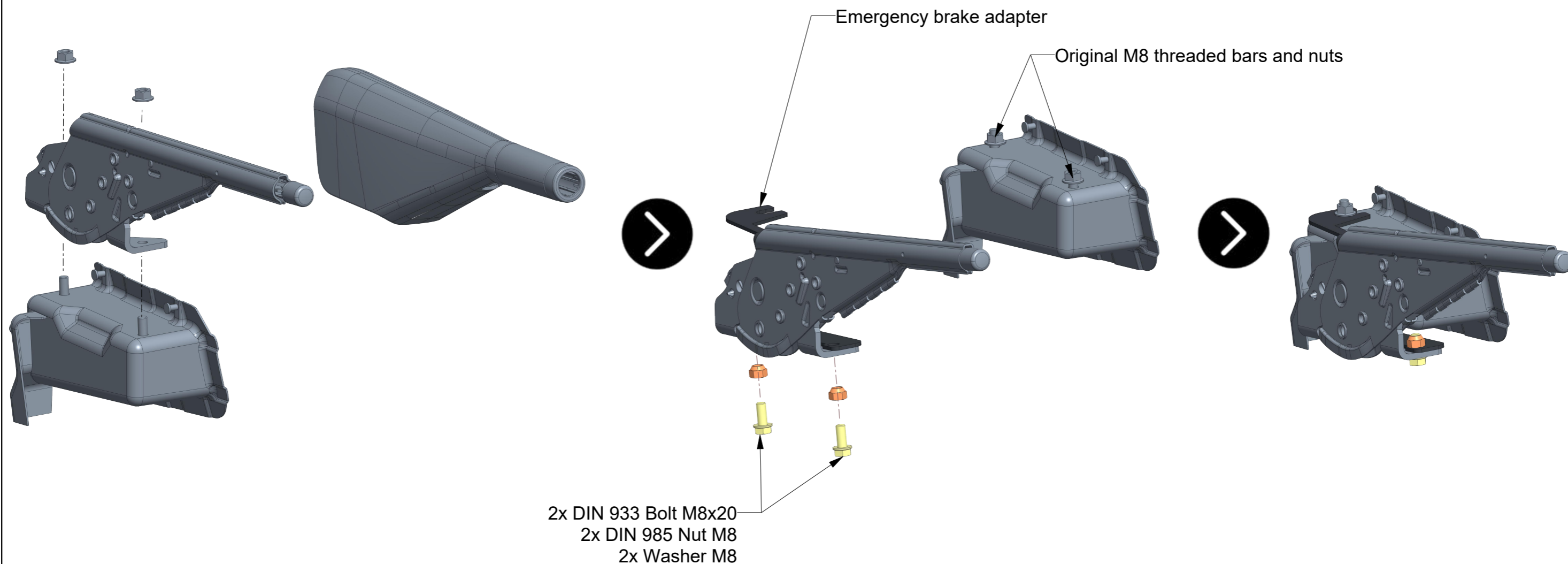


### Step 3. Emergency brake adapter mounting

First take off the plastic chasis of emergency brake. You will need to unscrew 2 original M8 nuts which is holding emergency brake in default location. Keep two original nuts M8 that you remove, you will need to use them in later step.

Next screw the adapter onto the handbrake body using screws from the supplied kit.

At the end screw adapter with handbrake in default location using original threaded bars and original M8 nuts.



#### Step 4. Swivel installation

Put the swivel between seat and seat base. Use screws from the supplied kit and 2 original M8 nuts.  
Firstly screw on swivel to the seat base, then screw on the seat.  
Final step is to connect back electric wires between seat and seat base and switch on the car battery.

